

Suitable for connecting cables of:

- Electrical Water Heaters
- Window-type A/Cs
- Extraction Fans
- Wall-mounted Speakers
- Many other ...etc.

7X7cm Glanded Plate Cover with Accessories

Feeding abovementioned electrical loads is done usually in an awkward way (corrugated PVC conduit are extracted out from the wall or by braking ceramic pavement's corner) and then primitive unsafe electrical connections are made to energize wall-mounted electrical loads!



Some other electricians use low-cost soft plastic covers that can never withstand big-size cables and in general are not -durable material specially when used for outdoor applications. It hogs out or becomes brittle after long time of sunlight exposure.

On the other hand, some electricians go for safe but expensive solutions by providing systematic socket and plug ... no one want to send the plug along with the electric water heater (for example) to the workshop for maintenance or replacement. Also bear in mind that

using socket and plug would consume a lot of time and effort during installation and dismantling.

Therefore, optimal solution could be through using economical, safe and aesthetic simple 7X7cm Glanded Plate Cover.



The 7X7cm glanded plate cover is made of high quality black-steel plate enameled with primer and RAL9016 Crème color electrostatic painting. The cover plate comprises two horizontal oval opening for fixing screws. The oval shaped openings provide some maneuvering that makes installing easier and faster.

Plate center were punched precisely to accommodate **PG11** or **PG16** polyvinyl chloride plastic (PVC) gland suitable to grip **small signaling cable, 3X1mm², 3X1.5mm², 3X2.5mm², 3X4mm² or 3X6mm² flexible cables.**

This pretty and robust design provides pleasing aesthetic compatible with most of indoor as well as outdoor wall finishing paints, safe and professional hookup for apparatus' feeder, it is well-fixed mechanically and fully insulated electrically.



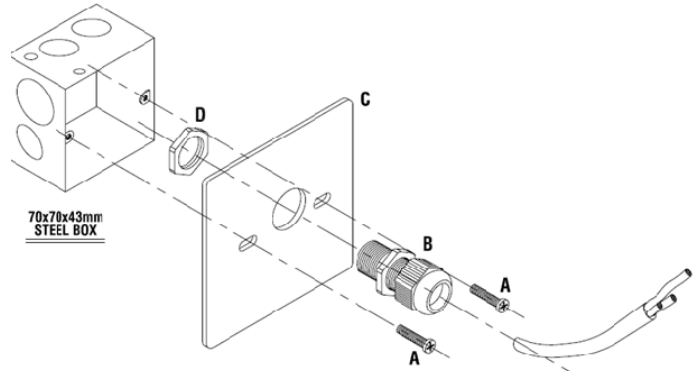
One kit consists of 70X70X1.5mm high quality steel plate, **PG11** or **PG16** PVC gland, a pair of small or big size electrical connection cap and 3.5X40mm fine threading machine screws.



Exploded view showing installation details is shown at the top of right column; plate could be installed at either sides. It is compatible with standard well-known 7X7cm steel or plastic boxes available within local market.

Two sizes of glanded plates are available (**Cat.S** for small cables as well as signaling cables), (**Cat.L** for power cables up to 3X6mm²).

EXPLODE VIEW FOR 7X7cm COVERPLATE MOUNTING DETAIL



END

- 3,5 X 4mm FINE THREADING FIXING MACHINE SCREWS
- Ø16 PVC GLAND
- 1 X 70 X 1,5mm STEEL COVER PLATE
- LANG WASHER

FLEXIBLE FEEDER

Having safe and aesthetic installation for feeding electrical loads is the main purpose of the 7X7cm glanded plate. Make it your choice always as a professional.

Glanded Plate Cover is a local product manufactured by M&I Est.



Mastering & Innovation Est.
 for Electromechanical Solutions
 P.O.Box 20303 Amman 11118 Jordan
 Telefax 00962 6 4627075
 Mobile 00962 79 6624708
 e-mail: maher_okush@hotmail.com